

GEA Küba KVB

Natural convection Air Coolers

GEA Küba KVB – Natural convection Air Coolers

Application

- For applications in all coldrooms where natural convection is desired:
 - Meat processing
 - Cheese cellars
 - Rooms for cut flowers
 - Minor coldrooms, ex-proof execution, without electrical defrost
- Capacity range from 0,6 to 4,4 kW at DT1 = 10 K
- 17 models

Electric defrost

- Resistances not connected
- 2 connection boxes loose
- 230 V-1, 50/60Hz

Cooler

- Internally oilfree to DIN 8964
- Fin spacing 8,5 mm
- Tubes staggered
- Tubes: Copper
- Fins: Aluminum-“Goldlack”
- Endplates: Aluminum, protective coated

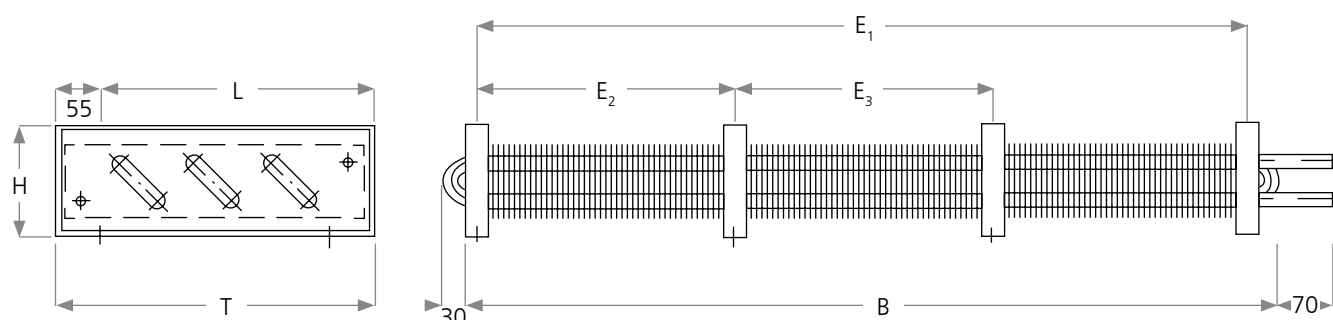
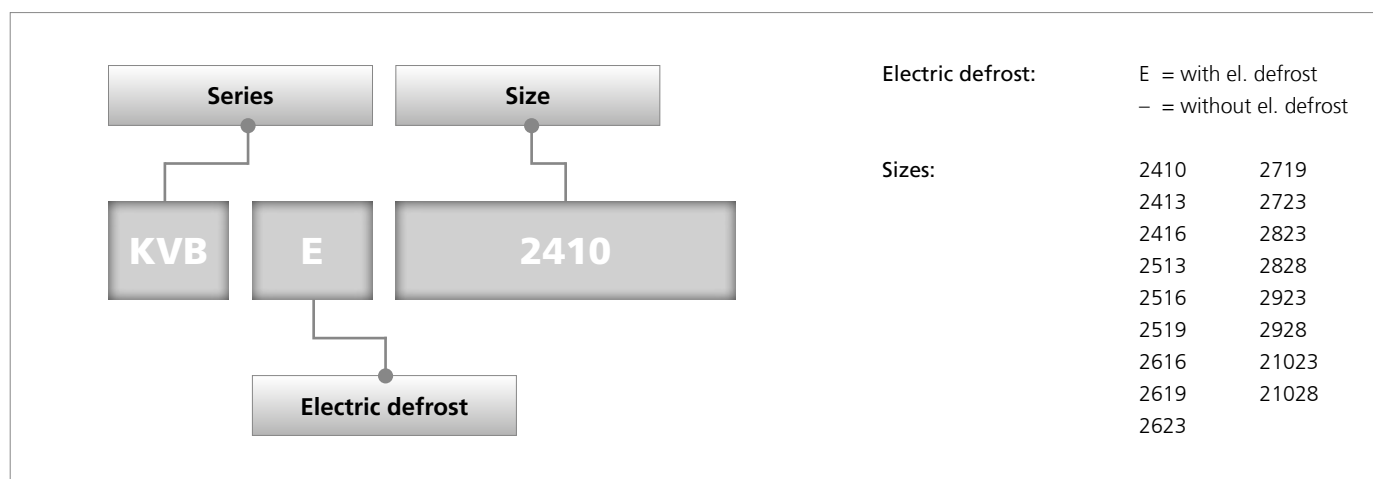
Recommendations

- With DT1 lower than 8K capacity losses may occur.
- t_{l1} lower than 4°C might cause ice formations in the louvred drip tray.
- Minimum distance of air cooler from ceiling: Measure T x 0.35
- Suspension with usual in the trade thread staffs.
- KVB coolers are available also for water circulation.

Protection against corrosion

- **Variant V6.02**
- Tubes: Stainless steel
- Fins: Aluminum-“Goldlack”
- Endplates: Stainless steel

Nomenclature



Selectiondiagram & Dimensions

Model	Capacity* Q	Surface	Tube volume	Connections		Dimensions [mm]							Weight mm	Electric defrost 230 V-1 400 V-3 kW
	kW			m ²	dm ³	Inlet	Outlet	H	B	T	L	E ₁		
		Ø mm	Ø mm											
KVB 2410	0.60	10.2	1.3	12	12	150	1015	420	310	930	-	-	15	0.70
KVB 2413	0.81	13.7	1.7	12	12	150	1315	420	310	1230	615	-	21	0.88
KVB 2416	1.01	17.0	2.1	12	12	150	1615	420	310	1530	765	-	23	1.12
KVB 2513	1.01	17.1	2.1	12	12	150	1315	520	410	1230	615	-	21	1.31
KVB 2516	1.26	21.3	2.6	12	15	150	1615	520	410	1530	765	-	24	1.68
KVB 2519	1.51	25.5	3.1	12	15	150	1920	520	410	1830	915	-	28	1.89
KVB 2616	1.51	25.5	3.1	12	15	150	1615	620	510	1530	765	-	28	1.68
KVB 2619	1.81	30.5	3.7	12	15	150	1920	620	510	1830	915	-	37	1.89
KVB 2623	2.21	37.3	4.5	12	15	150	2320	620	510	2230	1115	-	41	2.42
KVB 2719	2.11	35.6	4.4	12	15	150	1920	720	610	1830	915	-	39	2.52
KVB 2723	2.57	43.5	5.3	15**	18	150	2320	720	610	2230	1115	-	45	3.22
KVB 2823	2.94	49.7	6.0	15**	18	150	2345	820	710	2230	1115	-	47	3.22
KVB 2828	3.53	59.6	7.1	15**	18	150	2785	820	710	2670	890	890	64	3.92
KVB 2923	3.31	55.9	6.8	15**	18	150	2345	920	810	2230	1115	-	81	3.22
KVB 2928	3.96	67.0	8.0	15**	22	150	2785	920	810	2670	890	890	100	3.92
KVB 21023	3.68	62.2	7.5	15**	18	150	2345	1020	910	2230	1115	-	87	3.22
KVB 21028	4.41	74.5	8.9	15**	22	150	2785	1020	910	2670	890	890	107	3.92

* $t_{LI} = +10^{\circ}\text{C}$; DT1 = 10K ** Multiple injection via Venturi distributor

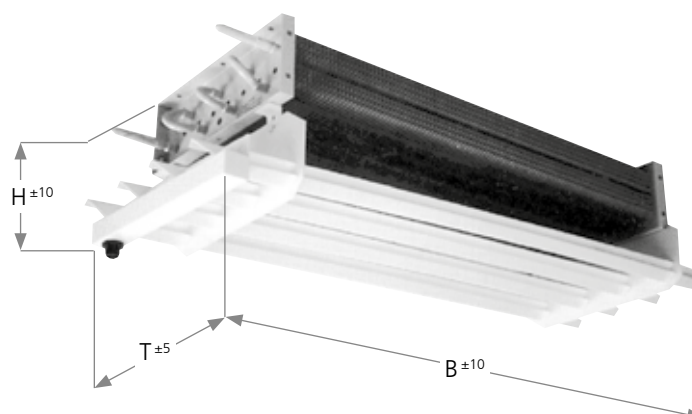
Fin spacing: 8,5 mm

Accessories – Louvred drip tray TWJ

For model	Dimensions [mm]			Gross weight
	H	B	T	kg
KVB 2410	335	1155	492	4.0
KVB 2413	350	1455	492	5.0
KVB 2416	360	1755	492	6.0
KVB 2513	350	1455	602	6.0
KVB 2516	360	1755	602	7.0
KVB 2519	370	2055	602	8.0
KVB 2616	360	1755	712	8.0
KVB 2619	370	2055	712	9.0
KVB 2623	390	2455	712	10.0
KVB 2719	370	2055	822	11.0
KVB 2723	390	2455	822	12.0
KVB 2823	390	2455	932	12.0
KVB 2828	405	2895	932	16.0
KVB 2923	390	2455	1042	16.0
KVB 2928	405	2895	1042	17.0
KVB 21023	390	2455	1152	17.0
KVB 21028	405	2855	1152	19.0

- Delivery unmounted packed
- quick and easy mounting

- Synthetic material, white, can be recycled
- surface water repellent
- food contact quality surface finish
- temperature resistant
 - 30°C /+50°C
- easy cleaning





We live our values.

Excellence • Passion • Integrity • Responsibility • GEA-versity

GEA Group is a global mechanical engineering company with multibillion euro sales and operations in more than 50 countries. Founded in 1881 the company is one of the largest providers of innovative equipment and process technology. GEA Group is listed in the STOXX Europe 600 Index.

GEA Heat Exchangers

GEA Küba GmbH

Kühler Weg 1 · 82065 Baierbrunn · Germany

Tel.: ++49(0)89/744 73-0 · Fax: ++49(0)89/744 73-107

kueba@gea.com · www.gea.com